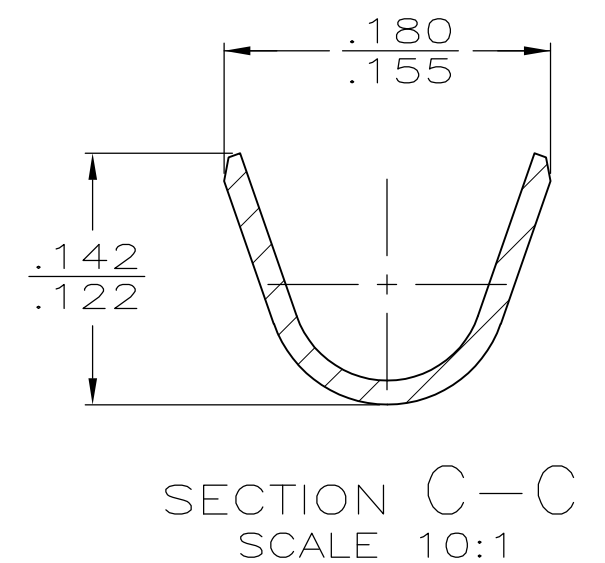
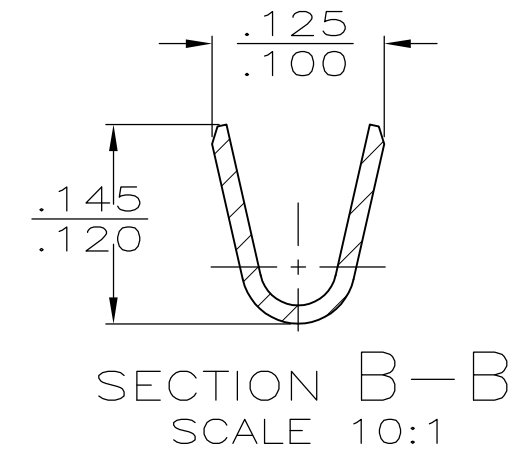
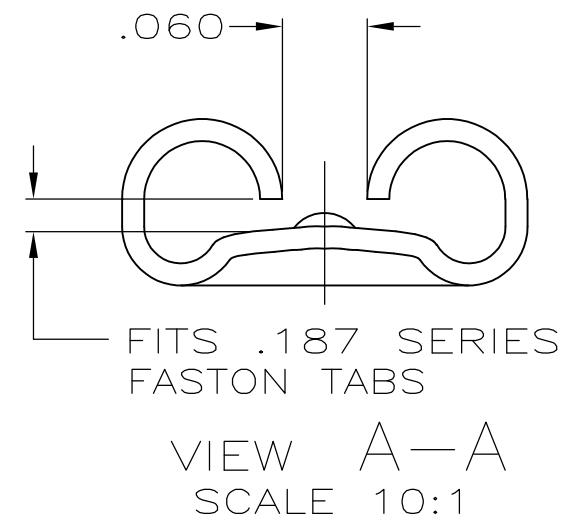
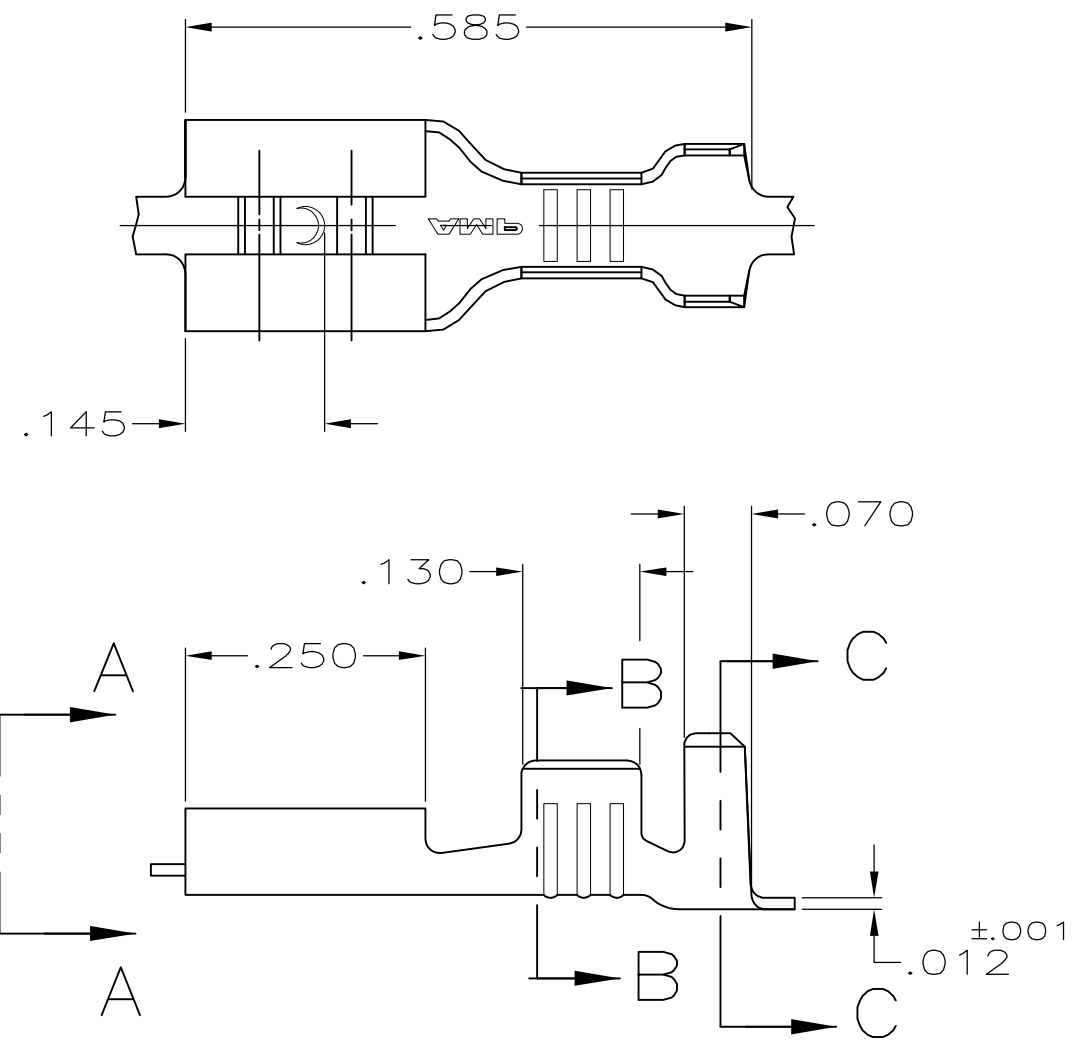


THIS DRAWING IS UNPUBLISHED. RELEASED FOR PUBLICATION
 © COPYRIGHT - By - ALL RIGHTS RESERVED.

LOC	DIST	REVISIONS			
P	LTR	DESCRIPTION	DATE	DWN	APVD
AF	50	G	REVISED PER ECR-12-013459	27NOV2012	KH PD

- 1 CONTINUOUS STRIP ON REELS.
- 2 FEED TO BE .650
- 3 PRELIMINARY - NOT FOR PRODUCTION



.060-.110 DIA	#20-16 AWG	.020	SILVER	3 62137-3
			TIN	62137-2
			-	62137-1
INSULATION RANGE	WIRE SIZE	MATING TAB THK ±.001	FINISH	PART NO.

THIS DRAWING IS A CONTROLLED DOCUMENT.		DWN	JR RUTH	8/21/91	STE TE Connectivity											
DIMENSIONS: INCHES		CHK	MS FEHER	8/21/91												
TOLERANCES UNLESS OTHERWISE SPECIFIED:		APVD	C MEYERS	8/21/91				RECEPTACLE, FASTON, .187 SERIES								
<table border="0"> <tr><td>0 PLC</td><td>± -</td></tr> <tr><td>1 PLC</td><td>± -</td></tr> <tr><td>2 PLC</td><td>± -</td></tr> <tr><td>3 PLC</td><td>± .015</td></tr> <tr><td>4 PLC</td><td>± -</td></tr> <tr><td>ANGLES</td><td>± -</td></tr> </table>		0 PLC	± -	1 PLC							± -	2 PLC	± -	3 PLC	± .015	4 PLC
0 PLC	± -															
1 PLC	± -															
2 PLC	± -															
3 PLC	± .015															
4 PLC	± -															
ANGLES	± -															
MATERIAL	BRASS	FINISH	SEE TABLE	WEIGHT	-	SIZE	A3	CAGE CODE	00779	DRAWING NO	C-62137	RESTRICTED TO	-			
CUSTOMER DRAWING							SCALE	5:1	SHEET	1 OF 1	REV	G				